

EDLN

JEPPESEN

MÖNCHENGLADBACH

MÖNCHENGLADBACH

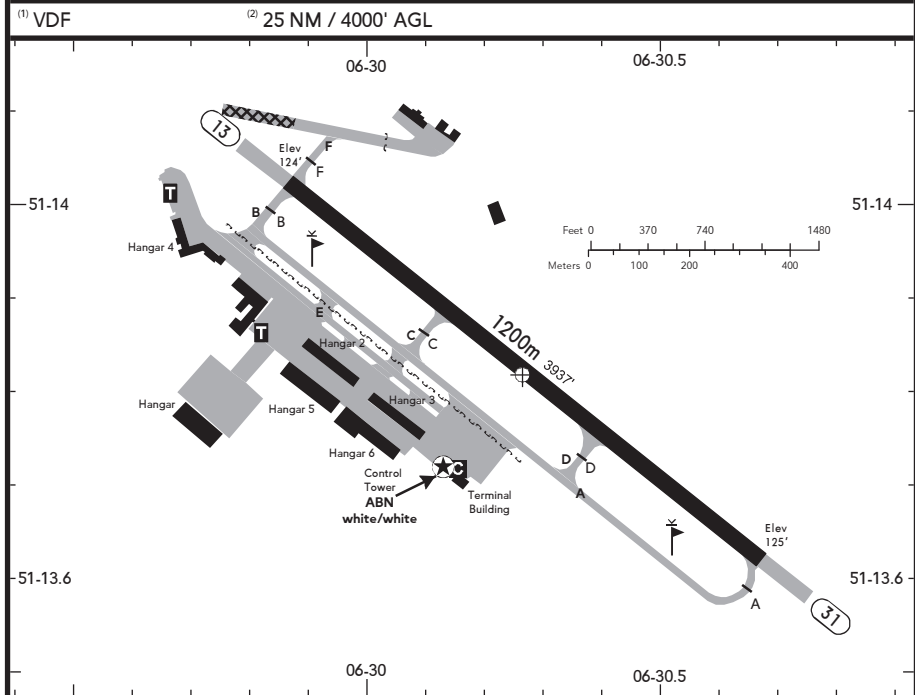
10 MAR 17 (19-2)

GERMANY

BRIEFING STRIP™

LOCATION Elev 125' /38m N51 13.8 E006 30.3	ATIS ATIS 109.800	TOWER GROUND MÖNCHENGLADBACH TOWER 120.450 ⁽¹⁾⁽²⁾ (ge, en)	121.925 (ge, en)
--	----------------------	---	------------------

ADMITTED AIRCRAFT 



SCALE 1:15000

☉ ABN - ALS - PAPI 13 (3.5°), 31 (3.0°) - THR L - RL - RCLL - TWYL - WDI.

RWY No	Dimension (m) - Surface	TORA (m)	LDA (m)	Strength	Lights
13 (128°) 31 (308°)	1200 x 30 Asphalt	1200	1200	PCN 30/F/D/W/T, HEL 5.7t	☉

1 Grooved

Contact MÖNCHENGLADBACH TOWER at least 5 MIN prior to reaching the REPs.

The nature reserve Pferdsbroich (1.2 NM E of THR 31) is a noise sensitive area, overflights shall be avoided as far as possible.