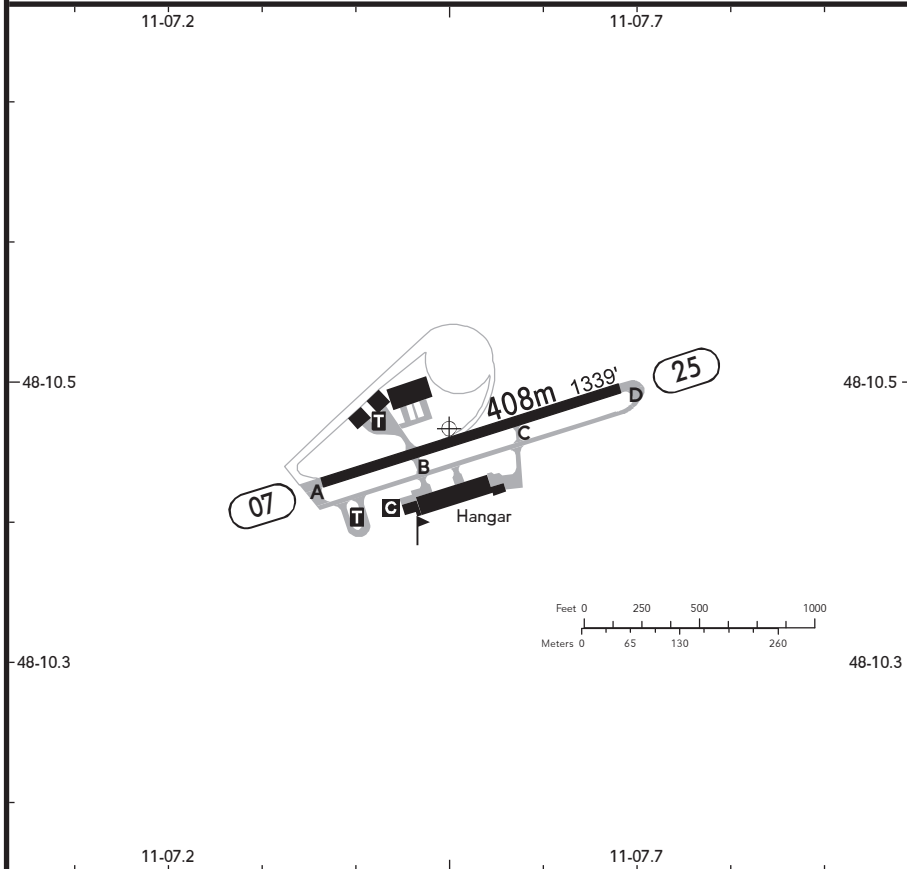


BRIEFING STRIP™

LOCATION Elev 1861' /567m N48 10.5 E011 07.5	AFIS JESENWANG INFO 120.050 ⁽¹⁾ (ge)	ADMITTED AIRCRAFT
--	--	-----------------------

⁽¹⁾ 15 NM / 3000' AGL



SCALE 1:10000

RWY No	Dimension (m) - Surface	TORA (m)	LDA (m)	Strength	Lights
07 (071°) ^① 25 (251°)	408 x 12 Asphalt	438	408	3t MPW (HEL 5.7t MPW)	---

^① Including 30m asphalt strip at the RWY beginning.

Contact JESENWANG INFO at least 5 MIN prior to reaching the AD.
 Within AD traffic maintain listening watch.
 APCH/DEP shall be performed from/to SW direction.
 Prior to each TKOF (prior to commencing the takeoff- run) or prior to LDG (after turning for final), pilot shall check that the omnidirectional amber lights on the traffic lights of the local road connecting Ješenwang/Adelshofen are in operation on each side of RWY or on tower of Flugleitung respectively. If not, TKOF or LDG shall be broken off in good time.

The strips at the RWY ends may be used for taxiing off after landing.
 The strip in front of THR 07 starts at the road. Distance THR 07 - TWY: 22m, THR 25 - TWY: 19m.
 Solo flights of student pilots of no home based flying schools are prohibited (except HEL).
 ACFT without valid noise certificate are not allowed to land.